

- 1
- 2
- 3
- 4
- 5
- 6
- 7
- 8
- 9
- 10
- 11
- 12
- 13
- 14
- 15
- 16
- 17
- 18

MAIN SPECIFICATIONS

Aluminium

- Epoxy resin coating
- Black, RAL 9005, textured finish **SW**
- Plain, matte shot-blasted **BL**

Socket cap screws DIN 912
Stainless Steel AISI 304

Hex nuts DIN 985
Stainless Steel AISI 304

Self-locking via polyamide ring

Grub screws DIN 914
Stainless Steel AISI 304

FEATURES AND APPLICATIONS

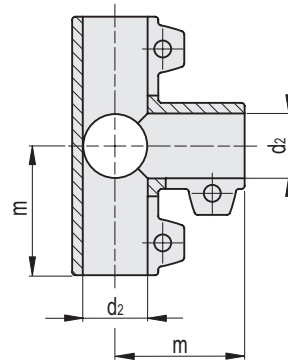
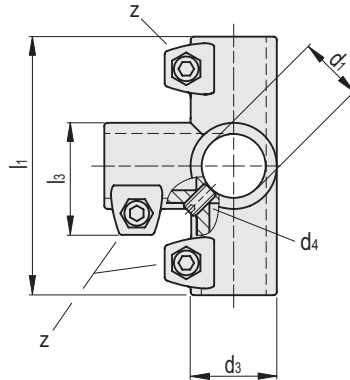
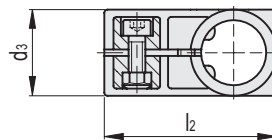
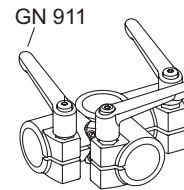
The clamping bores of angle connector clamps GN 198 are designed for construction tubes GN 990 (see page).

At the screw locations **z**, the socket cap screws reduce the bore cross-section for clamping.

For clamping without tools, the socket cap screws can be replaced by the adjustable hand levers GN 911 (see page).

ACCESSORY

Adjustable Hand Levers GN 911 (see page).



Conversion Table			
1 mm = 0,039 inch			
d1		d2	
mm	inch	mm	inch
20	0.78	20	0.78
25	0.98	25	0.98
30	1.17	30	1.17
40	1.56	40	1.56
42	1.64	42	1.64
45	1.76	45	1.76
48	1.87	48	1.87
50	1.95	50	1.95

Code	Description	d1	d2	d3	d4	l1	l2	l3	m	z	Z Clamping kit	⚖
GN.51102	GN 198-B20-B20-2-SW	B 20	B 20	40	M 8	120	80	52	60	M8-25	-	434
GN.51101	GN 198-B20-B20-2-BL	B 20	B 20	40	M 8	120	80	52	60	M8-25	-	434
GN.51107	GN 198-B25-B25-2-SW	B 25	B 25	40	M 8	120	80	52	60	M8-25	GN 911-78	355
GN.51106	GN 198-B25-B25-2-BL	B 25	B 25	40	M 8	120	80	52	60	M8-25	GN 911-78	355
GN.51112	GN 198-B30-B30-2-SW	B 30	B 30	40	M 8	120	80	52	60	M8-25	GN 911-63 / GN 911-78	263
GN.51111	GN 198-B30-B30-2-BL	B 30	B 30	40	M 8	120	80	52	60	M8-25	GN 911-63 / GN 911-78	263
GN.51117	GN 198-B40-B40-2-SW	B 40	B 40	65	M 10	206	135.5	77.5	103	M10-50	-	1603
GN.51116	GN 198-B40-B40-2-BL	B 40	B 40	65	M 10	206	135.5	77.5	103	M10-50	-	1603
GN.51122	GN 198-B42-B42-2-SW	B 42	B 42	65	M 10	206	135.5	77.5	103	M10-50	-	1504
GN.51121	GN 198-B42-B42-2-BL	B 42	B 42	65	M 10	206	135.5	77.5	103	M10-50	-	1504
GN.51127	GN 198-B45-B45-2-SW	B 45	B 45	65	M 10	206	135.5	77.5	103	M10-50	GN 911-92	1351
GN.51126	GN 198-B45-B45-2-BL	B 45	B 45	65	M 10	206	135.5	77.5	103	M10-50	GN 911-92	1351
GN.51132	GN 198-B48-B48-2-SW	B 48	B 48	65	M 10	206	135.5	77.5	103	M10-50	GN 911-78 / GN 911-92	1189
GN.51131	GN 198-B48-B48-2-BL	B 48	B 48	65	M 10	206	135.5	77.5	103	M10-50	GN 911-78 / GN 911-92	1189
GN.51137	GN 198-B50-B50-2-SW	B 50	B 50	65	M 10	206	135.5	77.5	103	M10-50	GN 911-78 / GN 911-92	1078
GN.51136	GN 198-B50-B50-2-BL	B 50	B 50	65	M 10	206	135.5	77.5	103	M10-50	GN 911-78 / GN 911-92	1078